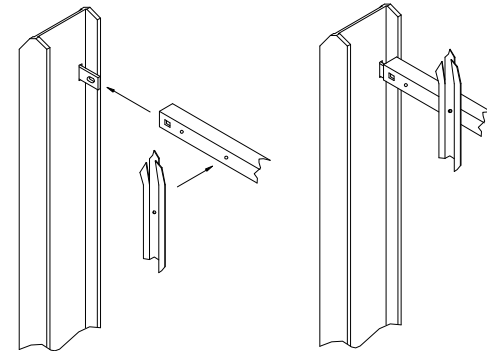
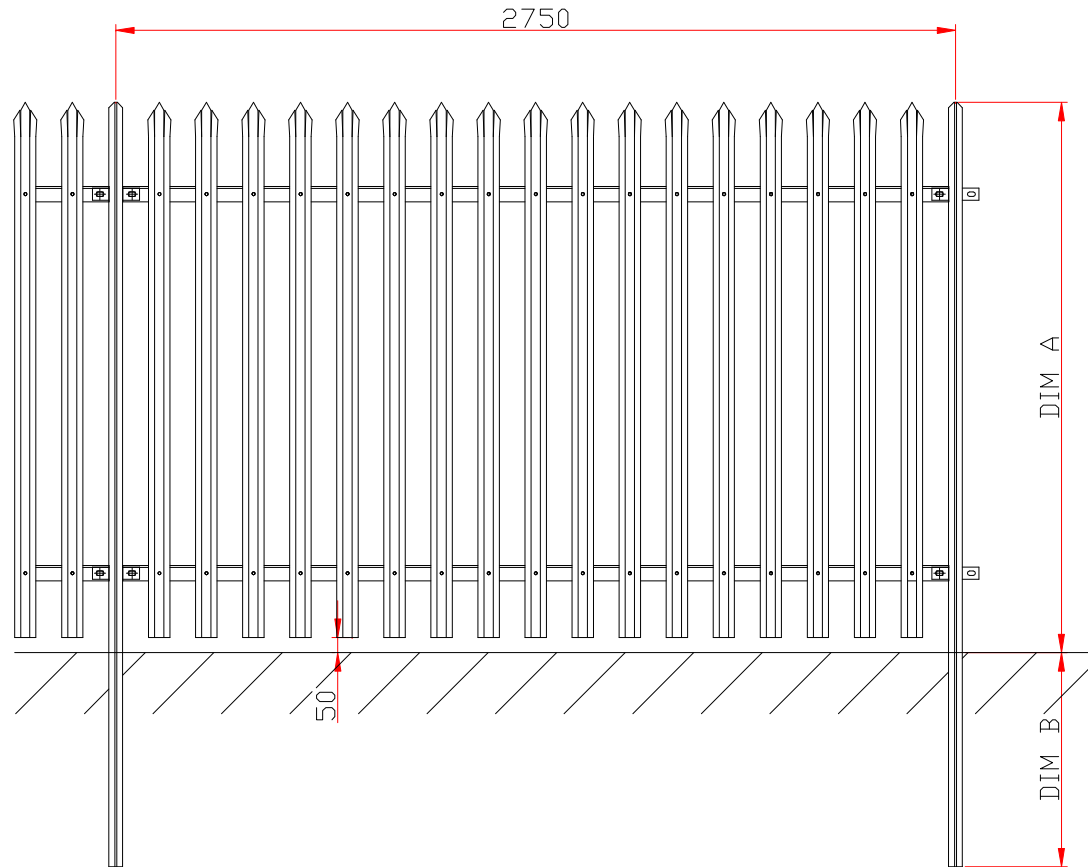




Palisade Fencing Panel

PR-PAL



DIM A	DIM B	POSTS	ANGLES	PALES
900	600	102x44	50x50	"W"&"D"
1200	600	102x44	50x50	"W"&"D"
1500	600	102x44	50x50	"W"&"D"
1800	600	102x44	50x50	"W"&"D"
2400	750	102x44	50x50	"W"&"D"

Procter Fencing Systems.
Isabella Road,
Garforth
Leeds LS25 2DY
Tel. 02920 855756 Fax. 0113 287 6284
enquiries@procterfencing.co.uk
www.fencing-systems.co.uk

Procter Fencing Systems.
11. Pantglas Ind Est,
Bedwas
Caerphilly. CF83 8XD
Tel. 02920 855756 Fax. 02920 888 544
enquiries@procterfencing.co.uk
www.fencing-systems.co.uk

PR-PAL